

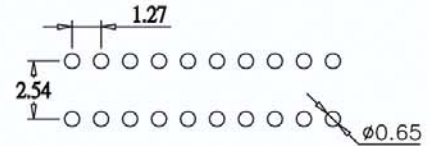
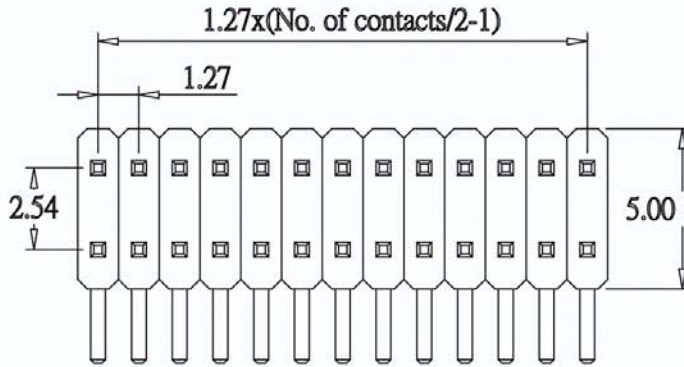
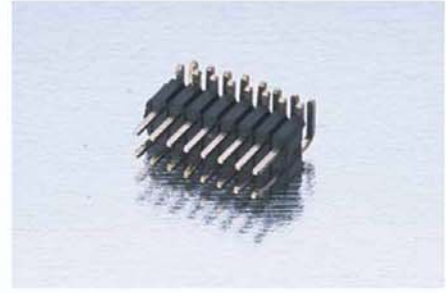
# PIN HEADER 1.27mm SQ PIN=0.46mm H=1.7/2.5mm RIGHT ANGLE TYPE

## SPECIFICATION

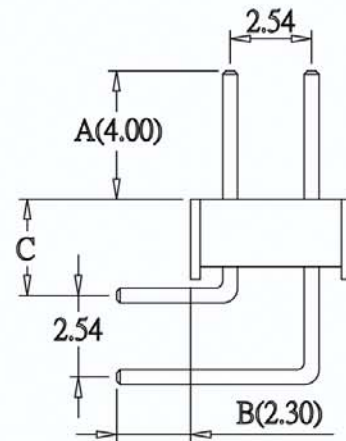
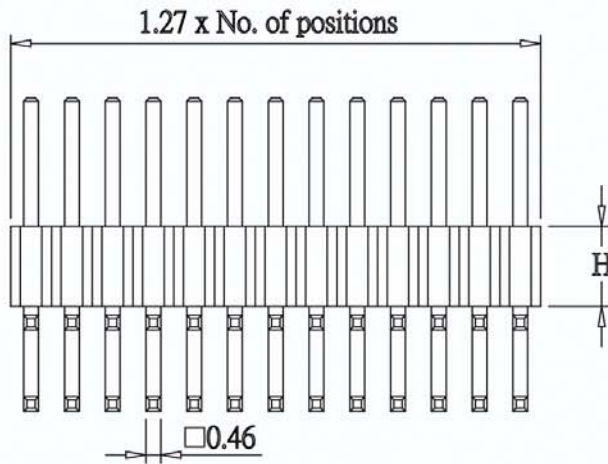
Current Rate:1 AMP  
Insulation Resistance:1000MΩ Min  
Contact Resistance:20mΩ Max  
Dielectric voltage:500V AC for one minute  
Operation Temperature:-40 °C to + 105°C

## MATERIAL

Insulator:Polyester,UL 94V-0  
© Standard:Nylon 6T  
Contact Pin:Brass  
Finish:Tin, Gold Plated  
©Standard:Gold Flash all over

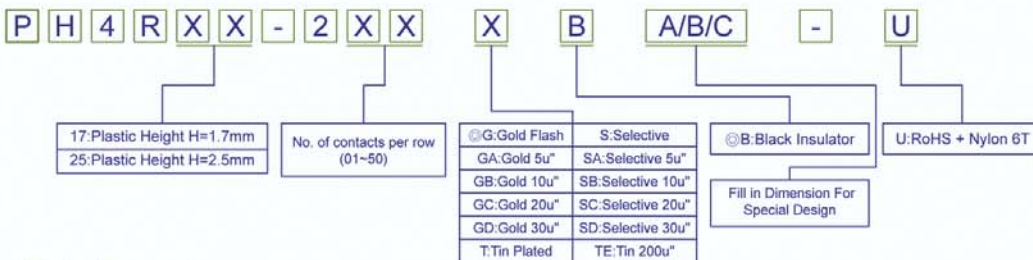


Recommended PCB Layout  
(PCB TOLERANCE ±0.05)



	C
H=1.7	2.20
H=2.5	3.00

## ORDER INFORMATION



©:Standard Recommend