

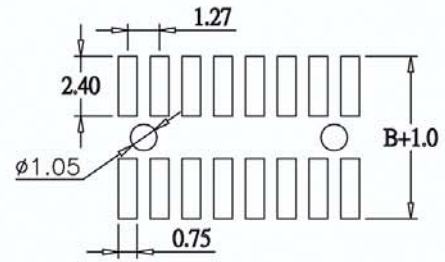
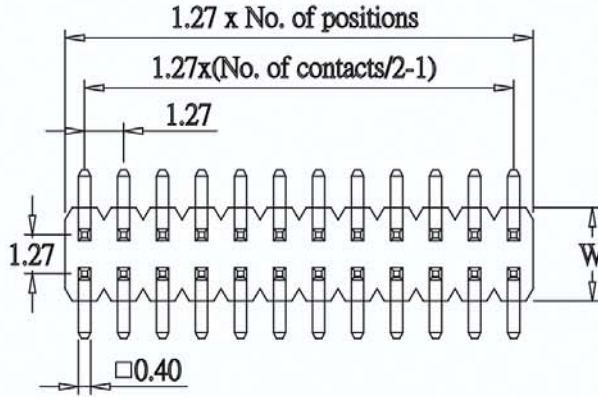
PIN HEADER 1.27mm SQ PIN=0.4mm H=0.85/1.0/1.5/1.7/2.0/2.5mm STACK SMT TYPE

SPECIFICATION

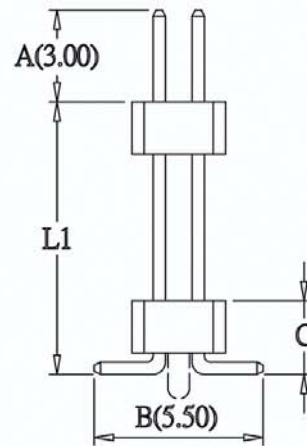
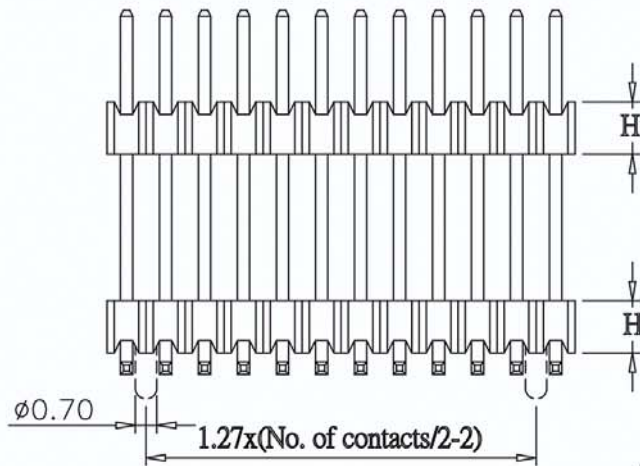
Current Rate:1 AMP
Insulation Resistance:1000MΩ Min
Contact Resistance:20mΩ Max
Dielectric voltage:500V AC for one minute
Operation Temperature:-40 °C to + 105°C

MATERIAL

Insulator:Polyester,UL 94V-0
◎ Standard:Nylon 6T
Contact Pin:Brass
Finish:Tin, Gold Plated
◎Standard:Gold Flash all over



Recommended PCB Layout
(PCB TOLERANCE ±0.05)



	C	W
H=0.85	1.30	3.40
H=1.0	1.50	3.40
H=1.5	2.00	3.40
H=1.7	2.20	3.00
H=2.0	2.50	3.00
H=2.5	3.00	3.00

ORDER INFORMATION

